

# METAL SEATED SWING CHECK VALVE

DN50-DN900 LEVER WEIGHT AND GUARD

MODEL NUMBER: SCVMF



Temp. Range[°c]	Flange Drilling	Design Standard	Testing
-10°C to +70°C	EN1092-2 PN16	EN1074-3 BS5153	EN12266

## Application

- Suitable for the prevention of reverse flow for clean and waste water applications.

## Features

- Fusion bonded epoxy > 300 Microns
- Heavy duty design lever, weight and guard as standard
- Suitable for vertical installations

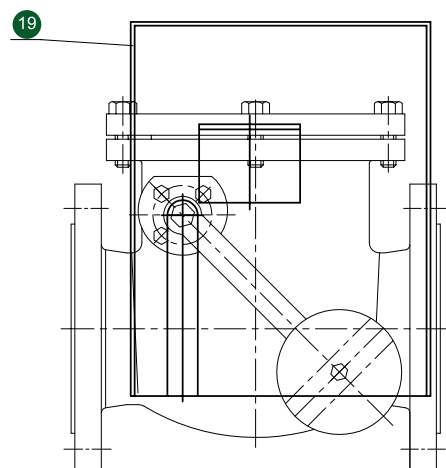


## Options

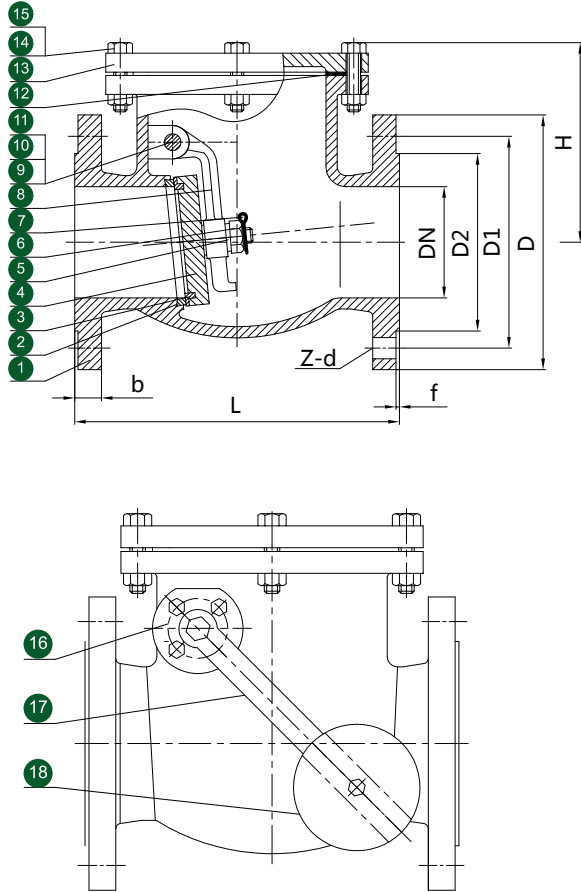
- Available in DIN/AWWA Standard
- Lever arm can be handed left or right hand side
- PN10, PN16, PN25, BST D/E connections
- Standard valve without lever weight and guard

## Accessories

- Limit / proximity switches
- Air vent / drain plug
- Hydraulic damper



## Dimensionl Drawing



## Materials

No.	Part Name	Material	Standard
1	Body	Ductile Iron	BS2789
2	Body Seat Ring	Bronze LG2	BS1400
3	Disc Seat Ring	Bronze LG2	BS1400
4	Disc	Ductile Iron	BS2789
5	Washer	Stainless Steel	SS304
6	Nut	Stainless Steel	SS304
7	Retaining Pin	Stainless Steel	SS304
8	Arm	Ductile Iron	BS2789
9	Hinge Pin	Stainless Steel	SS420
10	Plug	Stainless Steel	SS304
11	Minipad	TFL	
12	Gasket	NBR	BS2494
13	Bonnet	Ductile Iron	BS2789
14	Bolt	Stainless Steel	SS304
15	Nut	Stainless Steel	SS304
16	Gland	Ductile Iron	BS2789
17	Arm	Ductile Iron	BS2789
18	Weight	Ductile Iron	BS2789
19	Guard	Caron Steel	A3

## Dimensions

DN	D	ØD1	ØD2	L	b	f	Z-d	H
40	150	110	84	165	18	3	4-Ø19	122
50	165	125	99	203	20	3	4-Ø19	137
65	185	145	118	216	20	3	4-Ø19	147
80	200	160	132	241	22	3	8-Ø19	159
100	220	180	156	292	24	3	8-Ø19	180
125	250	210	184	330	26	3	8-Ø19	203
150	285	240	211	356	26	3	8-Ø19	223
200	340	295	266	495	30	3	12-Ø23	258
250	405	355	319	622	32	3	12-Ø28	290
300	460	410	370	698	32	4	12-Ø28	325
350	520	470	429	787	36	4	16-Ø28	361
400	580	525	480	914	38	4	16-Ø31	388
450	640	585	548	965	40	4	20-Ø31	450
500	715	650	609	1067	42	4	20-Ø34	518
600	840	770	720	1219	48	5	20-Ø37	620
800	1025	950	901	1850	58	5	20-Ø41	763
900	1125	1050	1001	2050	62	5	28-Ø41	960