

RESILIENT SEATED GATE VALVE

MANUAL OPERATION, DN50 -DN300

MODEL NUMBER: WGVR5



Temp. Range	Flange Drilling	Design Standard	Testing
-10°C to +70°C	EN1092-2 PN16	EN 1074-1&2 BS5163	EN12266

Application

- Type B.
- Suitable for pipeline isolation for water service & buried applications.

Features

- Low maintenance 'O' Ring stem seals replaceable under pressure
- Fusion bonded epoxy > 300 Microns
- Vulcanized EPDM wedge
- Light weight design
- Cap top or hand wheel operation as standard
- Wax filled fasteners for corrosion resistance
- 100% full bore- no recess



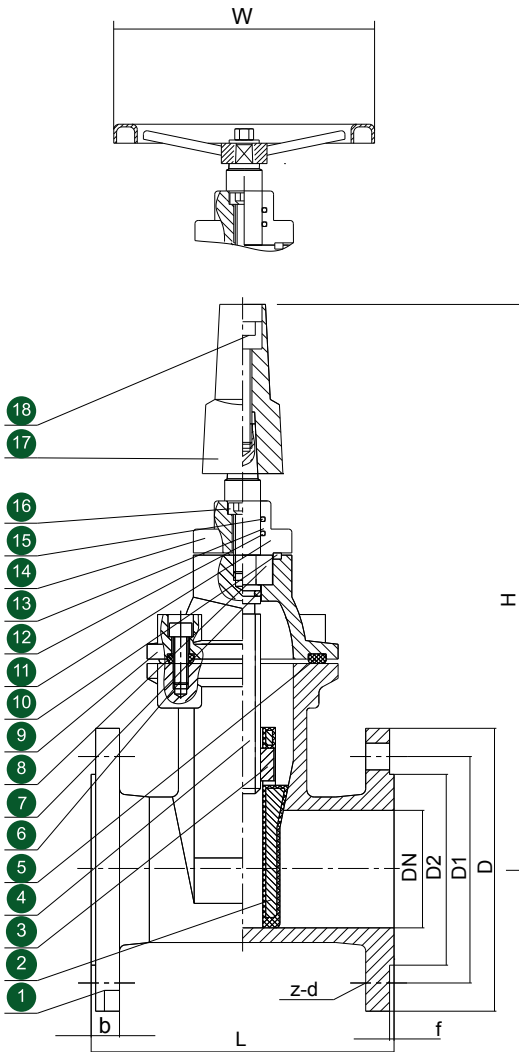
Options

- ISO mounting flange (gear box operation)
- Anti-clockwise closing
- Available in DIN and AWWA standards
- PN10, PN16, PN25, BST D/E connections

Accessories

- Position indicator and switches, locking facility, chain wheel assemblies, actuation, extension spindles & floor pillars

Dimensional Drawing



Materials

No.	Part Name	Material	Standard
1	Body	GGG40	EN-GJS-500-7
2	Wedge	GGG40+EPDM	EN-GJS-500-7 +EPDM
3	Stem Nut	LG2	BS1400
4	Stem	SS420	1•4021
5	Gasket	EPDM	WRAS Approved EPDM
6	Bonnet Bolt	SS304	1•4301
7	O-Ring	EPDM	WRAS Approved EPDM
8	Locating Ring	LG2	BS1400
9	Bonnet	GGG40	EN-GJS-500-7
10	Minipad	TEL/NYL	
11	O-Ring	EPDM	WRAS Approved EPDM
12	O-Ring	EPDM	WRAS Approved EPDM
13	Gland	GGG40	EN-GJS-500-7
14	Gland	GGG40	EN-GJS-500-7
15	O-Ring	EPDM	WRAS Approved EPDM
16	Washer/ Bolt	SS304	1•4301
17	Cap	GGG40	EN-GJS-500-7
18	Bolt	Zincd Carbon Steel	

Dimensions

DN	D	ØD1	ØD2	H	L	b	f	Z-d
50	165	125	99	310	178	19	3	4-Ø19
65	185	145	118	335	190	19	3	4-Ø19
80	200	160	132	365	203	19	3	8-Ø19
100	220	180	156	400	229	19	3	8-Ø19
125	250	210	184	450	254	19	3	8-Ø19
150	285	240	211	495	267	19	3	8-Ø23
200	340	295	266	580	292	20	3	12-Ø23
250	405	355	319	660	330	22	3	12-Ø28
300	460	410	370	745	356	24.5	4	12-Ø28

RESILIENT SEATED LARGE BORE GATE VALVE

DN350 -DN1200

MODEL NUMBER: WGVRS



Temp. Range	Flange Drilling	Design Standard	Testing
-10°C to +70°C	EN1092-2 PN16	EN1074-1&2 BS5163	EN12266

Application

- Type B.
- Suitable for pipeline isolation for water service & buried applications.

Features

- Low maintenance 'O' Ring stem seals replaceable under pressure
- Fusion bonded epoxy > 300 Microns
- Vulcanized EPDM wedge
- 100% full bore
- ISO mounting pad and by-pass facility as standard valves 700 mm and above complete with manual gearbox



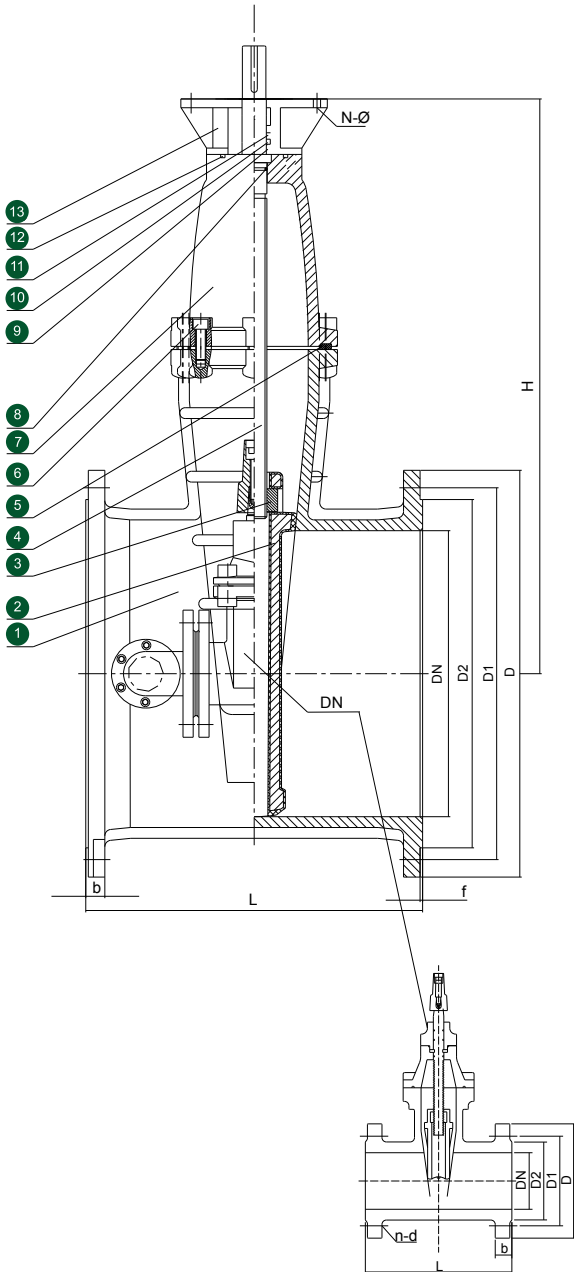
Options

- Bevel/ Spur gearbox
- Alternative flange drilling
- Anti-clockwise closing
- Bypass facility
- Available in DIN and AWWA standard

Accessories

- Position indicator and switches, locking facility, chain wheel assemblies, actuation, extension pindles & floor pillars

Dimensional Drawing



Materials

No.	Part Name	Material	Standard
1	Body	GGG40	EN-GJS-500-7
2	Wedge	GGG40+EPDM	EN-GJS-500-7 +EPDM
3	Stem Nut	LG2	BS1400
4	Stem	SS420	1•4021
5	Gasket	EPDM	WRAS Approved EPDM
6	Bonnet Bolt	SS304	1•4301
7	Bonnet	GGG40	EN-GJS-500-7
8	Thrust Collar	LG2	BS1400
9	O-Ring	EPDM	WRAS Approved EPDM
10	O-Ring	EPDM	WRAS Approved EPDM
11	O-Ring	EPDM	WRAS Approved EPDM
12	O-Ring	EPDM	WRAS Approved EPDM
13	ISO Gland	GGG40	EN-GJS-500-7

DN	A	B	E	H	H1	N-Ø
350	310	165	10	50	40	4-Ø22
400	310	165	10	50	40	4-Ø22
450	310	165	14	60	50	4-Ø22
500	310	165	14	60	50	4-Ø22
600	310	165	14	60	50	4-Ø22

Dimensions

DN	D	D1	D2	H	L	b	f	Z-d	dn
350	Ø520	Ø470	Ø429	800	381	26.5	4	16-Ø28	Ø40
400	Ø580	Ø585	Ø480	880	406	28	4	16-Ø31	Ø40
450	Ø640	Ø585	Ø548	955	432	30	4	20-Ø31	Ø50
500	Ø715	Ø650	Ø609	1035	457	31.5	4	20-Ø34	Ø50
600	Ø840	Ø770	Ø720	1190	508	36	5	20-Ø37	Ø65
700	Ø910	Ø840	Ø794	2200	610	39.5	5	24-Ø37	Ø80
800	Ø1025	Ø950	Ø901	2450	660	43	5	24-Ø40	Ø80
900	Ø1125	Ø1050	Ø1001	2600	711	46.5	5	28-Ø40	Ø100
1000	Ø1255	Ø1170	Ø1112	2800	811	50	5	28-Ø44	Ø100
1200	Ø1485	Ø1390	Ø1328	3100	1015	57	5	32-Ø50	Ø100

