

# PRESSURE CONTROL VALVE

DN40-DN600

MODEL NUMBER: PCV



Temp. Range	Flange Drilling	Design Standard
-10°C - 70°C	EN1092-2 PN16	EN1074-5

## Application

- Potable water
- Agriculture
- Buildings
- Mining

## Features

- Pressure reducing valve
- Option of PN25 flanged and rated valves
- Minimum operating pressure 0.7 Bar
- Stainless steel internal and external components
- External self-tapping points

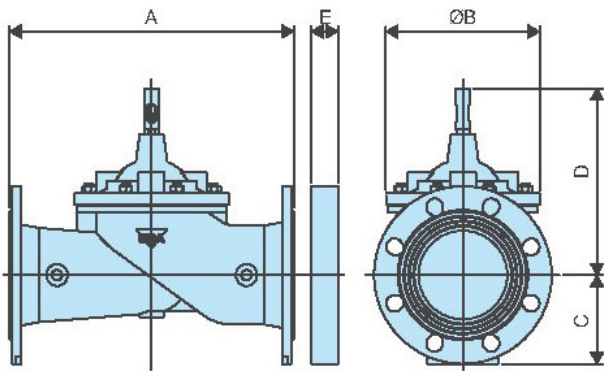
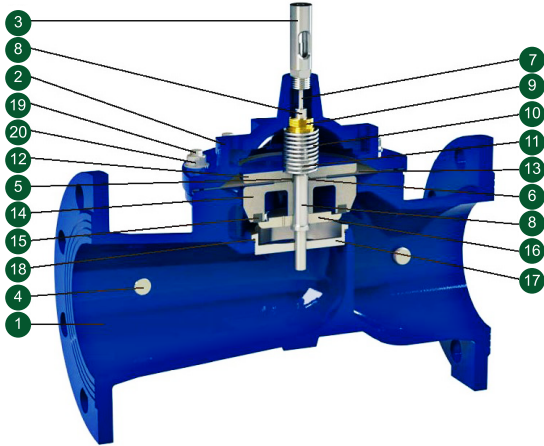


## Options

- Pressure sustaining
- Pressure relief
- Demand Control Valve

## Accessories

- Pressure gauges
- Flexible hosing
- Dual chamber



## Materials

No.	Part Name	Material
1	Body	Ductile Cast Iron GJS 500-7 or GJS 450-10
2	Cap	Ductile Cast Iron GJS 500-7 or GJS 450-10
3	Position indicator	S.S. AISI 303 (nickel-plated brass from DN 300)
4	Pressure outlet taps	Stainless Steel AISI 316
5	Upper flat O-ring	NBR
6	Obturator O-ring	NBR
7	Indicator stem	Stainless Steel AISI 303
8	Main shaft	Stainless Steel AISI 303
9	Guide ring	bronze CuSn5Zn5Pb5
10	Spring	Stainless Steel AISI 302
11	Locking nut	Stainless Steel AISI 304
12	Upper flat	Painted Steel
13	Diaphragm	Polyamide-Nylon
14	Obturator	AISI 303 (DN 50-65), Steel, Duct. C. Iron (from DN 150)
15	Plane gasket	NBR
16	Gasket holder	Stainless Steel AISI 303 (304 from DN 150)
17	Seat	Stainless Steel AISI 303 (316 from DN 150)
18	Seat O-ring	NBR
19	Studs	Stainless Steel AISI 304
20	Nuts and washers	Stainless Steel AISI 304

## Weights & Dimensions

### Reduced Bore

DN	A	B	C	D	E	Weight Kg
40	230	162	83	235	30	18
50	230	162	83	235	30	18
65	290	194	93	275	30	23.5
80	310	218	100	295	30	28
100	350	260	118	335	30	39
150	480	370	150	450	30	84
200	600	444	180	495	30	138
250	730	570	213	600	40	264
300	850	676	242	720	40	405
400	1100	870	310	915	40	704

### Full Bore

DN	A	B	C	D	E	Weight Kg
80	310	162	100	245	30	24
100	350	218	118	280	30	34
125	400	260	135	350	30	47
150	480	260	150	350	30	54
200	600	370	180	460	30	97
250	730	444	213	515	40	172
300	850	570	242	605	40	304
400	1100	680	310	745	40	480
500	1250	870	365	945	40	782
600	1450	870	423	970	40	922

