

PENSTOCKS

DN100-DN600

MODEL NUMBER: PSNRS

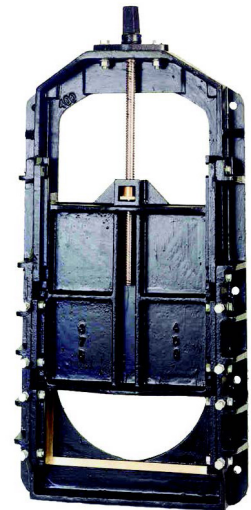
| Temp. Range | Flange Drilling | Design Standard | Testing |
|--------------|------------------------|-----------------|---|
| 0°C to +70°C | Manufacturers Standard | BS7775 | On Seating: 1.2 L/min/Seal Perimeter Off Seating: 2.5 L/min/Seal Perimeter |

Application

- Flow control and Isolation of fluids within the water, irrigation and hydro power industries. Penstocks can be wall, channel or pipe mounted.

Features

- Flush invert
- non-rising stem
- low friction polyolefin seals
- light weight
- low torque

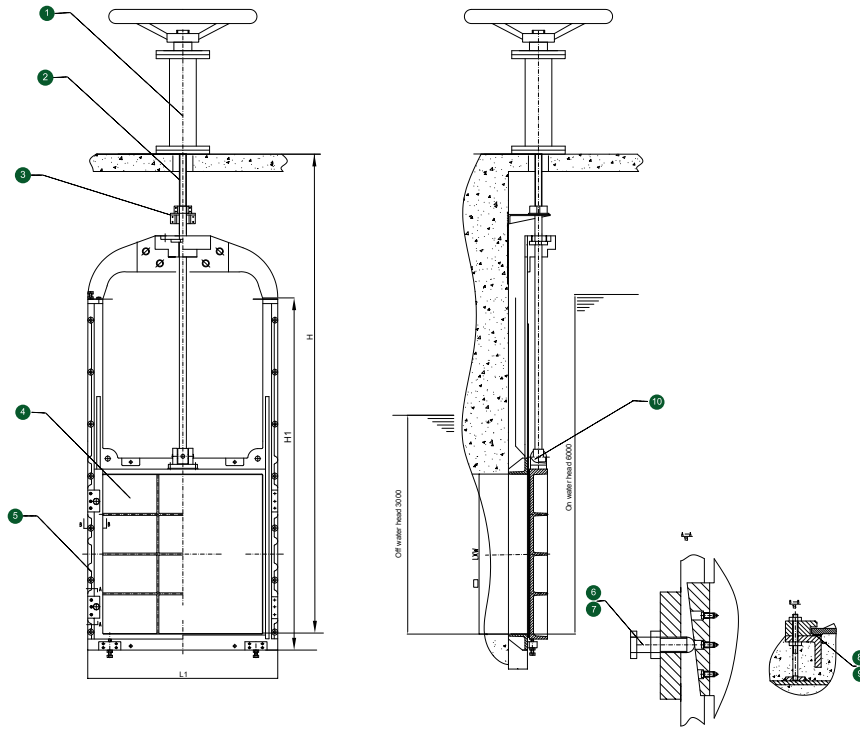


Options

- Higher pressure
- Different materials: Steel, stainless steel
- Larger sizes with twin shafts
- Weir type for flow control
- Gear box operation
- AWWA standards on request

Accessories

- Position indication, switches, locking facility, actuation, extension spindles, floor pillars



Dimensions

| Size | L | ff | H | H1 | H2 | L1 |
|----------------|-----|-----|------|-----|-----|-----|
| 600X600 | 600 | 600 | H | 930 | 400 | 720 |
| 500X500 | 500 | 500 | H | 800 | 330 | 620 |
| 450X450 | 450 | 450 | H | 725 | 305 | 550 |
| 400X400 | 400 | 400 | H | 650 | 280 | 500 |
| 350X350 | 350 | 350 | H | 580 | 255 | 450 |
| 300X300 | 300 | 300 | H | 460 | 230 | 400 |
| 250X250 | 250 | 250 | 6000 | 425 | 205 | 350 |
| 200X200 | 200 | 200 | H | 350 | 170 | 300 |
| 150X150 | 150 | 150 | H | 255 | 145 | 250 |
| 100X100 | 100 | 100 | H | 180 | 120 | 200 |

Materials

| No. | Part Name | Material | Qty. |
|-----|--------------------------|---------------------------|------|
| 1 | Headstock With handwheel | Mild Steel- FBE Coated | 1 |
| 2 | Shaft | Stainless Steel 303 | 1 |
| 3 | Guide | Cast Iron BS1452- 220 | 1 |
| 4 | Gate | Cast Iron BS1452- 220 | 1 |
| 5 | Frame | Cast Iron BS1452- 220 | 1 |
| 6 | Wedge of frame | Copper Alloy BS2874.CZ121 | 4 |
| 7 | Wedge of gate | Stainless Steel 304 | 4 |
| 8 | Sealing ring of frame | Copper Alloy BS2874.CZ121 | 1 |
| 9 | Sealing ring of gate | Copper Alloy BS2874.CZ121 | 1 |
| 10 | shaft nut | Bronze LG2 | 1 |