

METAL SEATED SMALL BORE GATE VALVE

DN50-DN300

MODEL NUMBER: WGVMF



Temp. Range[°c]	Flange Drilling	Design Standard	Testing
-10°C to +70°C	EN1092-2 PN16	EN1171 BS5163	EN12266

Application

- Suitable for pipeline isolation for clean water and waste water applications.

Features

- Type B for buried service
- 'O' Ring stem seals replaceable under pressure
- Fusion bonded epoxy > 300 Microns
- Bronze LG2 Seating
- Heavy duty design for dirty water application
- Cap top or hand wheel operation as standard



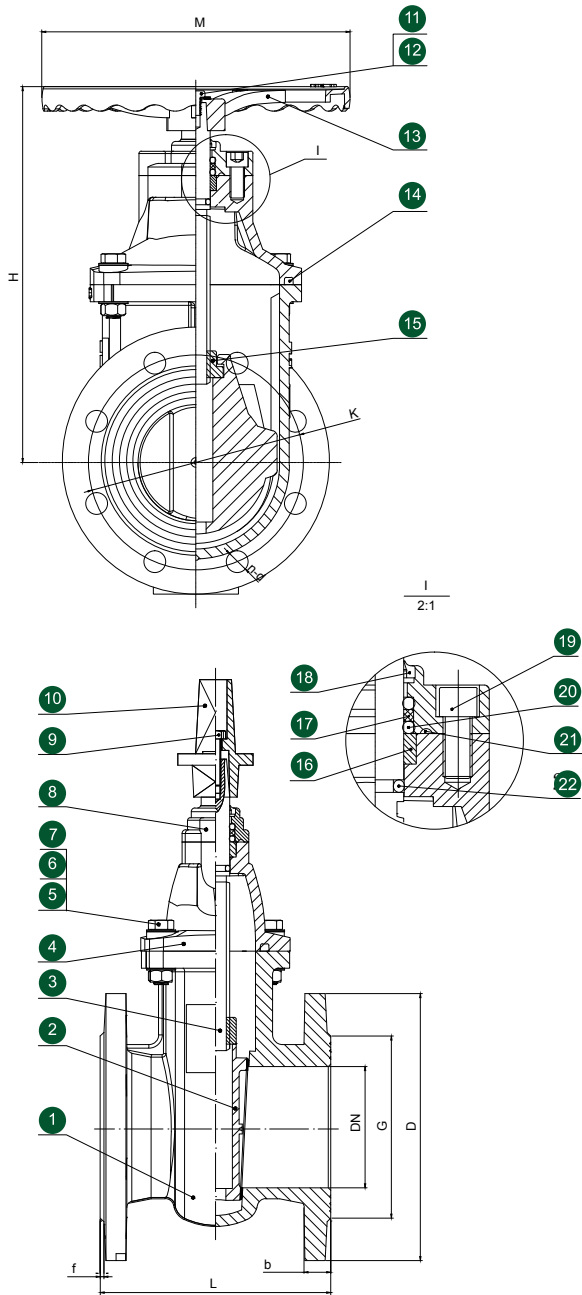
Options

- Alternative flange drillings
- ISO mounting flange (Gear box operation)
- Anti-clockwise closing
- Available in DIN and AWWA standards
- PN10, PN16, PN25, BST D/E connections

Accessories

- Position indicator and switches, locking facility, chain wheel assemblies, actuation, extension spindles & floor pillars

Dimensionl Drawing



Materials

No.	Part Name	Material	Standard
1	Body	GGG50+Bronze	BS2789/BS1400
2	Wedge	GGG50+Bronze	BS2789/BS1400
3	Stem	420S37	BS970
4	Bonnet	GGG50	BS2789
5	Bolts	SS304	ASTM 283
6	Nuts	SS304	ASTM 283
7	Washers	SS304	ASTM 283
8	Gland	GGG50	BS2789
9	Cap Top Bolt	SS304	BS970
10	Cap Top	GGG50	BS2789
11	Hand Wheel Bolt	SS304	ASTM 283
12	Washers	SS304	ASTM 283
13	Hand Wheel	GGG50	BS2789
14	Bonnet Gasket	NBR	ISO4633
15	Stem Nut Bronze BS1400	LG2	BS1400
16	Holding Ring	Brass	BS2874
17	Separated Sets of Nylon	Nylon 66	
18	Dust Ring	NBR	ISO4633
19	Gland Bolts	SS304	BS970
20	O Ring	NBR	ISO4633
21	O Ring	NBR	ISO4634
22	O Ring	NBR	ISO4635

Dimensions

DN	L	H	M	D	K	G	n-d1	b	f
50	178	220	200	165	125	99	4-Ø19	19	3
65	190	250	200	185	145	118	4-Ø19	19	3
80	203	280	254	200	160	132	8-Ø19	19	3
100	229	315	254	220	180	156	8-Ø19	19	3
125	254	370	315	250	210	184	8-Ø19	19	3
150	267	410	315	285	240	211	8-Ø23	19	3
200	292	495	315	340	295	266	12-Ø23	20	3
250	330	605	406	405	355	319	12-Ø28	22	3
300	356	655	406	460	410	370	12-Ø28	24.5	4

METAL SEATED LARGE BORE GATE VALVE

DN350-DN1200

MODEL NUMBER: WGVMF



Temp. Range[°c]	Flange Drilling	Design Standard	Testing
-10°C to +70°C	EN1092-2 PN16	EN1171 BS5163	EN12266

Application

- Suitable for pipeline isolation for clean water and waste water applications.

Features

- LG2 Bronze seats
- 'O' Ring stem seals replaceable under pressure
- Fusion bonded epoxy > 300 Microns
- Heavy duty design for dirty water application
- Cap top or hand wheel operation as standard



Options

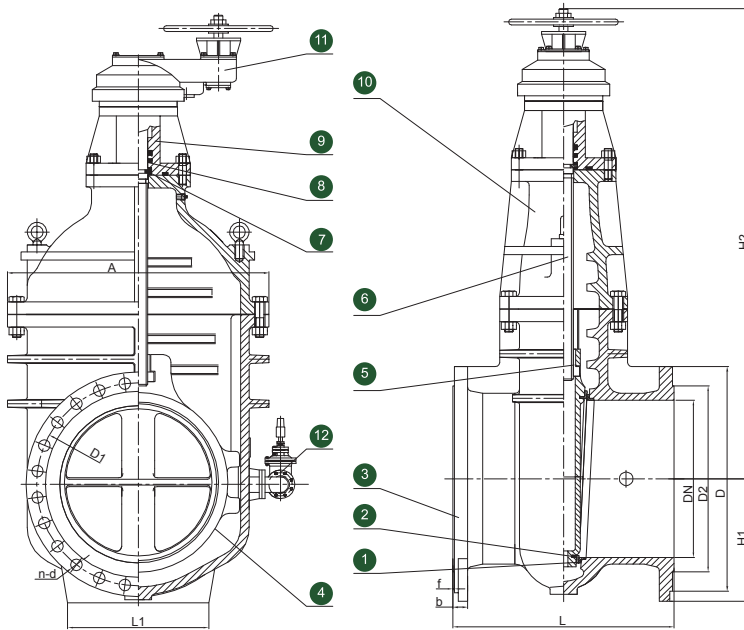
- Inspection Hatches
- Jacking screw
- Slippers and guides
- ISO mounting flange (Gear box operation)
- Anti-clockwise closing
- Available in DIN and AWWA standards
- PN10, PN16, PN25, BST D/E connections

*Larger sizes on request.

Accessories

- Position indicator and switches, locking facility, chain wheel assemblies, actuation, extension spindles & floor pillars

Dimensionl Drawing



Materials

No.	Part Name	Material
1	Body Seal Ring	Bronze LG2
2	Wedge Seal Ring	Bronze LG2
3	Body	DuctileIron EN-GJS: 500-7
4	Gate	DuctileIron EN-GJS: 500-7
5	Stem Nut	Bronze AB2
6	Stem	Stainless Steel SS420
7	Stem Collar	Stainless Steel SS420
8	O-ring	EPDM
9	ISO Mount	DuctileIron EN-GJS: 500-7
10	Bonnet	Ductile Iron EN-GJS:500-7
11	Gearbox	Ductile Iron EN-GJS:500-7
12	Bypass assembly	Optional

Dimensions

DN	L	D	D1	D2	b	f	n-d	A	L1	H1	H2	Torque Nm	No. Turns
350	381	520	470	429	26.5	4	16-Ø28	270	270	739	546	396	32
400	406	580	525	480	28	4	16-Ø31	300	300	831	606	528	36
450	432	640	585	548	30	4	20-Ø31	330	330	913	680	660	40
500	457	715	650	609	31.5	4	20-Ø34	370	370	992	730	792	44
600	508	840	770	720	36	5	20-Ø37	430	430	1161	850	1122	53
700	610	910	840	794	39.5	5	24-Ø37	1156	495	495	1876	320	372
800	660	1025	950	901	43	5	24-Ø41	1242	540	540	2025	267	665
900	711	1125	1050	1001	46.5	5	28-Ø41	1423	600	645	2204	344	751
1000	811	1255	1170	1112	50	5	28-Ø44	1448	680	680	2436	405	870
1100	811	1355	1270	1218	53.5	5	32-Ø44	1540	750	720	2601	498	960
1200	960	1485	1390	1328	57	5	32-Ø50	1625	825	825	2726	591	1035
1300	850	1585	1490	1429	58	5	32-Ø50	1760	850	820	2901	701	1125
1400	960	1685	1590	1530	60	5	36-Ø50	1860	870	870	3090	688	1440
1500	1140	1820	1710	1640	62.5	5	36-Ø57	1960	1010	940	3301	641	1928
1600	1140	1930	1820	1750	65	5	40-Ø57	2065	1000	1000	3490	733	2055