

KNIFE GATE VALVE

DN50-DN700

MODEL NUMBER: KGVBIFLNR

Temp. Range[°c]	Flange Drilling	Design Standard	Testing
0°C to +80°C	EN1092-2 PN16	Manufacturers Standard	EN12266

Application

- Bi-directional valve designed for general industries, such as waste water, minerals, pulp and paper.
- Suitable for end of line duty

Features

- Fully lugged to suit PN16-BS4504 flanges
- Replaceable gland packing without the need to disassemble
- Full bore
- Cavity free body
- 'U' shaped one piece NBR body sealing
- Suitable for end of line duty

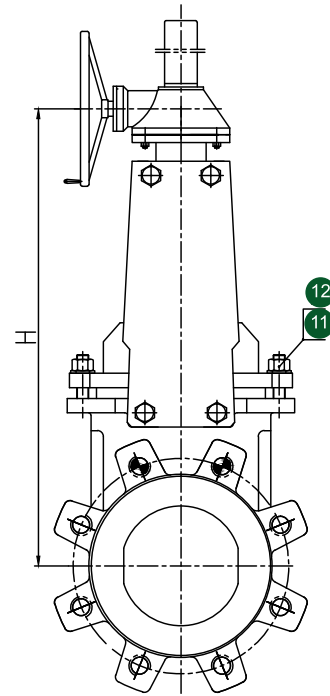
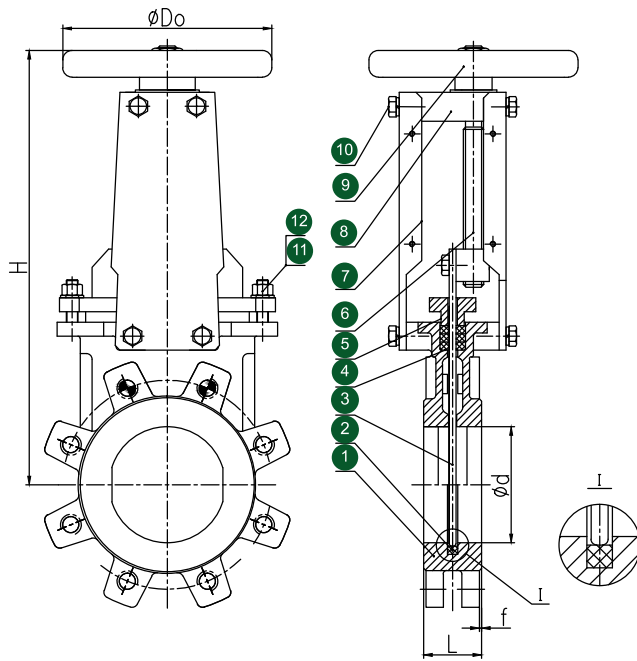


Options

- ISO mounting flange for actuation
- Gearbox Operation
- Rising stem
- Larger sizes on request
- EPDM or VITON seats for higher temperatures
- Materials of construction: SS316
- PTFE lined valves available
- Uni-directional

Accessories

- Limit switches/ proximity switches, deflector cones, locking facility, pneumatic actuators, electric actuators



Materials

No.	Part Name	Material
1	Body	ASTM A536 65-45-12/ GGG40
2	Seat	EPDM/NBR
3	Gate	SS304
4	Packing	PTFE
5	Gland	WCB/D.I
6	Stem	SS420
7	Support Yoke	ASTM A36
8	Yoke	C.S
9	Bevel Gear	DI and MS
10	Bolt	AISI 1035
11	Bolt	A2-70 (ASTM A193 B8)
12	Nut	A2-70 (ASTM A194 8)

Dimensions (PN16)

DN	D	L	f	D ₀	H
50	50	40	2	200	299
65	65	40	2	200	322
80	80	50	2	200	350
100	100	50	2	200	385
125	125	50	2	200	425
150	150	60	2	300	485
200	200	60	2	300	580
250	250	70	2	350	699
300	300	76	2	350	803

Pressures/ temperatures

DN (NPS)	Maximum working differential pressures
DN50-DN250 (2"-10")	10 Bar
DN300-DN450 (12"-18")	7 Bar
DN500-DN600 (20"-24")	4 Bar
DN700-DN900 (28"-36")	2 Bar
Maximum working differential pressures	NBR: 80°C
	EPDM: 110°C
	PTFE: 150°C

DN	D	L	f	H
350	350	96	2	1020
400	400	100	2	1070
450	438	106	2	1205
500	500	110	2	1290
600	570	110	2	1445
700	680	110	2	1600

