

ECCENTRIC PLUG VALVE

DN65-DN600

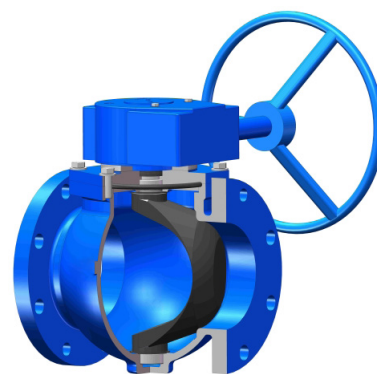
MODEL NUMBER: EPV



Temp. Range	Flange Drilling	Design Standard	Testing
-10°C to +120°C	EN1092-2 PN16	BS5158	EN12266

Application

- Suitable for control and isolation applications offering a near linear flow characteristics control of non-abrasive applications up to 10 m/s.
- Quick acting 1/4 turn.
- Suitable for Potable water, process waste water/sewage and aeration lines.



Features

- Compact robust design giving dependable service
- Common with face to face dimensions of gate valves 50-300mm.
- Low torque due to eccentric action and permanently lubricated bearings.
- Long life service
- Quick acting applications
- Bi-directional applications
- Maintainable
- Round port for maximum flow (full round port design offers better CV/ KV valves over rectangle design)

Options

- ISO mounting gearbox/ actuation
- Alternative elastomers
- Metal seated 100mm to 2700mm
- PN10, PN16, PN25, BST D/E connections

Accessories

- Position indication, switches, locking facility, actuation, chain wheel assemblies, extension spindles, floor pillars

Pressures/ temperatures

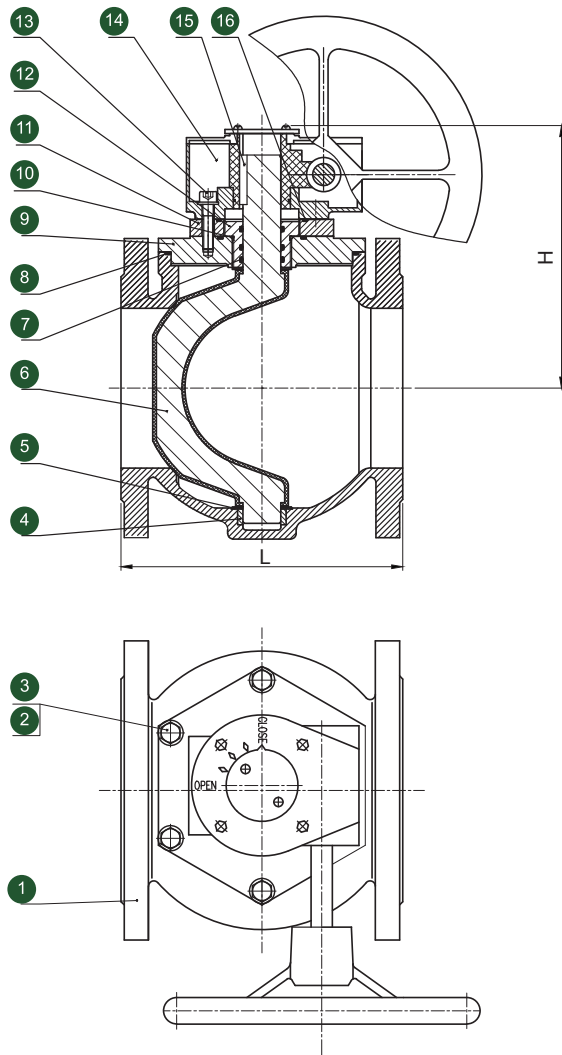
Maximum working
differential pressures

NBR: 80°C

EPDM: 110°C

Material

No.	Part name	Material
1	Body	EN-GJS-450-10
2	HEX Bolt	SS316
3	Washer	SS316
4	Bearing	SS316
5	Thrust Washer	PTFE
6	Plug	Ductile+ NBR/EPDM
7	O-ring	EPDM
8	O-ring	EPDM
9	Bonnet	EN-GJS-450-10
10	O-ring	EPDM
11	Plate	Carbon Steel
12	Gland	Brass
13	Cap Head Screw	SS316
14	Gear Box	Cast Iron
15	Key	Carbon Steel



Important Note:

Eccentric Plug Valve Sizes **DN200 and above**: All holes within the valve flange are drilled and tapped - refer to the Affco flange table for sizes.

Dimensions

Size		2"	2.5"	3"	4"	5"	6"	8"	10"	12"	14"	16"	18"	20"	24"
L	PN16	7	7.5	8	9	10	10.5	11.5	13	14	17	17.75	21.5	23.5	30
	PN25	NA	9.5	11.12	12	15	15.88	16.5	18	19.75	18.5	19.38	-	25	42.88
H		5.25	6	6	7	7.5	8.5	9	11.5	13	16.6	18.1	20.2	22.3	23.5
Weight (Kg)		12	13.6	18.1	31.7	52.5	62	86.2	156.5	199.5	240	445	590	751	934



Affco Flow Control (UK) Ltd
Unit 7, Stafford Park 12, Telford,
Shropshire, England, TF3 3BJ
T: +44 (0)1952 459 338
W: www.affco-flowcontrol.com
E: info@affco-flowcontrol.co.uk