

LEVEL CONTROL VALVE

DN40-DN300

MODEL NUMBER: LCV



Temp. Range	Flange Drilling	Design Standard
-10°C - 70°C	EN1092-2 PN16	EN1074-5

Application

- Water applications
- Industrial applications
- Irrigation applications

Features

- Operating pressure 16 Bar
- Angle patterned
- Straight through pattern
- Dual pivot point operation



Options

- Extension arm 1.5m
- Stainless steel float

Accessories

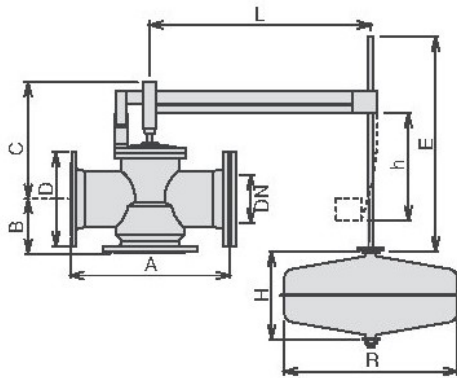
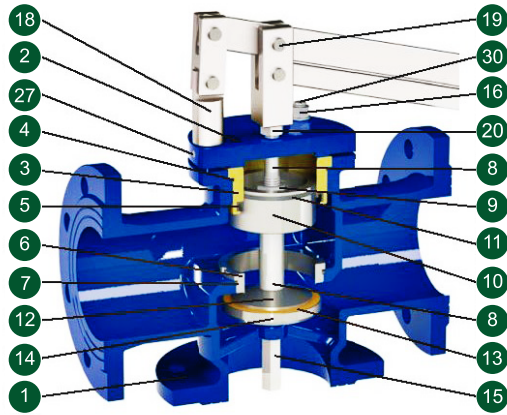
- Anti-freeze device

Head Loss Coefficient for Angle Pattern

DN (mm)	40	50	65	80	100	125	150	200	250	300
Kv (m ³ /h)/bar	21,6	21,6	46,8	68,4	108	155	245	360	648	1008

Head Loss Coefficient for Globe Pattern

DN (mm)	40	50	65	80	100	125	150	200	250	300
Kv (m ³ /h)/bar	18,4	18,4	39,6	59,4	90	133	209	313	576	864



Materials

No.	Part Name	Material
1	Body	Ductile Cast Iron GJS 450-10or GJS 500-7
2	Cap	Painted Steel
3	Guiding bushing	Bronze CuSn5Zn5Pb5 (painted steel for DN 250-300)
4	O-ring	NBR
5	Lip gasket	NBR
6	Seat	Stainless Steel AISI 304
7	O-ring	NBR
8	Guiding shaft	Stainless Steel AISI 303
9	Blocking nut	Stainless Steel AISI 304
10	Piston	Stainless Steel AISI 303
11	Guiding ring	PTFE
12	Counter-seat	Stainless Steel AISI 303 (painted steel for DN 250-300)
13	Plane gasket	NBR
14	Obturator	Stainless Steel AISI 303 (painted steel for DN 250-300)
15	Tightening nut	Stainless Steel AISI 303
16	Nuts (screws) and washers	Stainless Steel AISI 304
17	Upper coupling	Zinc-plated Steel
18	Lower coupling	Zinc-plated Steel
19	Pivots	Stainless Steel AISI 303
20	Blocking nut	Stainless Steel AISI 304
21	Shaft pivot	Zinc-plated Steel
22	Upper lever	Zinc-plated Steel
23	Lower lever (from DN 80)	Zinc-plated Steel
24	Float coupling (from DN 80)	Zinc-plated Steel
25	Float rod	Stainless Steel AISI 304
26	Float	Stainless Steel AISI 304
27	Plug (screw from DN 150 to 300)	Stainless Steel AISI 304
28	Elastic pin (from DN 80)	Stainless Steel AISI 304
29	Screw	Stainless Steel AISI 304
30	Studs (from DN 150 to 300)	Stainless Steel AISI 304

Weights & Dimensions

DN	A	B	C	D	L	H	R	h	E	Weight Kg
40	230	82.5	173	165	600	0220	0220	105	525	21.0
50	230	82.5	173	165	600	0220	0220	105	525	21.0
65	290	92.5	193	185	600	0220	0220	180	525	26.0
80	310	100	235	200	800	200	300	210	600	33.0
100	350	125	233	220	800	180	400	267	600	41
125	400	125	238	250	800	180	400	267	600	49
150	480	162	371	285	1000	250	400	400	540	79
200	600	183	420	340	1000	250	400	418	540	118
250	730	270	540	405	1220	300	500	510	945	215
300	850	300	610	460	1400	400	500	610	1042	250

