

# BALL CHECK VALVE

DN25 -DN300

MODEL NUMBER: BCV



Temp. Range[°c]	Working Pressure	Standard
-10°C to + 180°C	EN1092-2 PN16	ISO-15848-1

## Application

- Non return valve for dirty water, sewage treatment and other loaded fluids.
- Can be used as an air vent or anti-flooding valve.



## Features

- Full bore, quiet operation
- Automatic cleaning
- Elastomer coated ball ensures positive sealing on return flow.

## Options

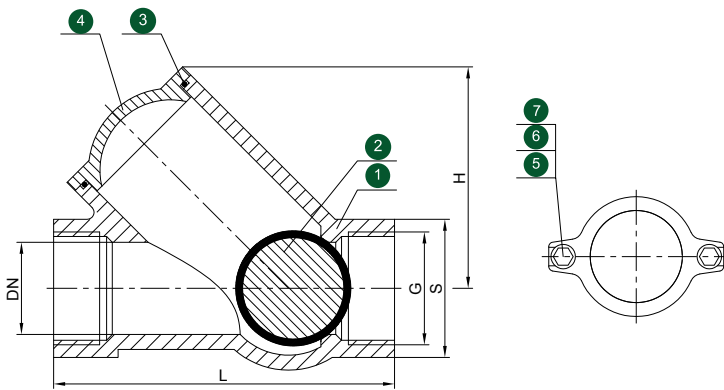
- BSP Screwed end connection 25mm to 65mm
- Lighter/ floating balls
- Alternative materials for aggressive liquids and industrial processes

## Accessories

- Replacement balls for service/ maintenance.



## BSP Screwed End Connection



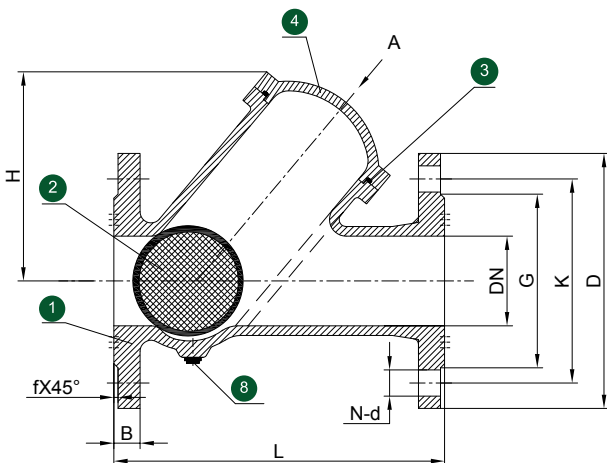
## Materials

No.	Part Name	Material
1	Body	GGG50
2	Float Ball	NBR+Aluminum
3	O-Ring	NBR
4	Cover	GGG50
5	Gasket	Stainless Steel
6	Washer	Stainless Steel
7	Nut	Stainless Steel

## Dimensions

DN	L	S	H	G
25	137	50	75	1"
32	137	50	75	1 1/4"
40	145	60	93	1 1/2"
50	175	72	106	2"
65	200	90	131	2 1/2"

## Double Flanged Connection

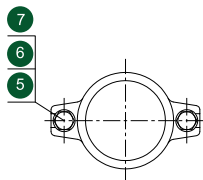


## Materials

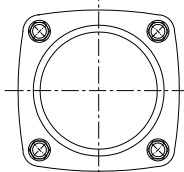
No.	Part Name	Material
1	Body	Ductile Iron
2	Plug	Stainless Steel
3	Ball	Steel+NBR
4	O-Ring	NBR
5	Bonnet	Ductile iron
6	Bolts	Stainless Steel
7	Washer	Stainless Steel

## Dimensions

DN	L	H	D	K	N-d	G	B
40	180	88	150	110	4-Ø19	84	19
50	200	98	165	125	4-Ø19	99	19
65	240	115	185	145	4-Ø19	118	19
80	260	137	200	160	8-Ø19	132	19
100	300	154	220	180	8-Ø19	156	19
125	350	180	250	210	8-Ø19	184	19
150	400	220	285	240	8-Ø23	211	19
200	500	287	340	295	8-Ø23/12-Ø23	266	20
250	600	355	395/405	350/355	12-Ø23/12-Ø28	319	22
300	700	425	445/460	400/410	12Ø23/12-Ø28	370	24.5



DN32-DN50



DN65-DN400