

POTABLE WATER AIR VALVE

DN65-DN400

TRIPLE FUNCTION POTABLE WATER AIR VALVES



Temp. Range	Flange Drilling	Design Standard
-10°C - 60°C	EN 1092-2 PN16	BS EN 1074-4

Application

- Potable water mains
- Treated water mains and irrigation systems

Features

- Maximum operating pressure 40 Bar Minimum operating pressure 0.1 Bar
- Single body combination air valve Solid polypropylene frictionless float
- Stainless steel screen to prevent contamination
- Three optional outlets



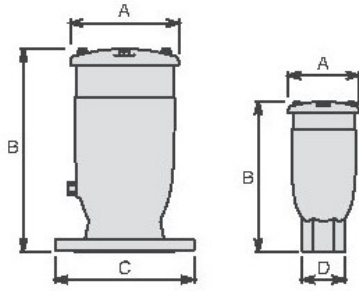
Options

- Anti-Surge Protection
- Rapid Fill Protection

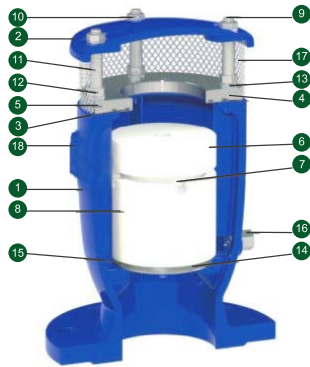
Accessories

- Exit Only and Entrance Only Kits Snorkel Kit
- Critical Air Valve Monitoring Sensor
- Flanged Outlet Soak Away

Affco Flow Control (UK) Ltd. offers complete air valve analysis and surge analysis design capabilities that will help to identify the right type, size and location of an air valve to protect the main or application from transient surge events. This will give complete peace of mind and help to greatly reduce maintenance issues through leaks and catastrophic bursts.



Connection inch/mm	A	B	C		D	Weight Kg
Threaded 2"	117	240	-	-	CH 70	4.8
Flanaed 50	117	250	165	-	-	6.8
Flanaed 65	117	250	185	-	-	7.6
Flanaed 80	141	305	210	205	-	10.8
Flanaed 100	172	303	235	220	-	13.8
Flanaed 150	206	337	305	285	-	23
Flanaed 200	285	555	375	340	-	55
Flanaed 250	365	635	450	405	-	101
Flanaed 300	420	785	515	455	-	127
Flanaed 350	515	940	580	520	-	250.5
Flanaed 400	600	1075	620	580	-	304



Connection	PN 10	PN16	PN 25	PN 40
2"- DN65	1.5	1.2	1	0.8
DN80	1.8	1.5	1.2	1
DN100	1.8	1.5	1.2	1
DN150	3	2.4	1.8	1.2
DN200	4	3	2.4	1.8
DN250	4	4	4	3
DN300	4	4	4	4
DN350	4	4	4	4
DN400	4	4	4	4

Materials

No.	Part Name	Material	Standard
1	Body	Ductile Cast Iron	GJS 500-7/ GJS 450-10
2	Cap	Ductile Cast Iron	GJS 500-7/ GJS 450-10
3	O-ring	NBR	
4	O-ring	NBR	
5	Seat	Stainless Steel	AISI 304
6	RFP Flat with O-ring	Polypropylene and NBR	
7	Upper Flat with Nozzle	Subset polypropylene and stainless steel	AISI 316
8	Float	Polypropylene	
9	Studs	Stainless Steel	AISI 304
10	Nuts	Stainless Steel	AISI 304
11	Spacers	Stainless Steel	AISI 304
12	Nuts	Stainless Steel	AISI 304
13	Washers	Stainless Steel	AISI 304
14	Deflector	Stainless Steel	AISI 304
15	Screws	Stainless Steel	AISI 304
16	Drain Valve	Stainless Steel	AISI 304
17	Screen	Stainless Steel	AISI 304
18	Tag	Stainless Steel	AISI 304

SEWAGE AIR VALVE

DN50-DN200

TRIPLE FUNCTION SEWAGE AIR VALVES

Temp. Range	Flange Drilling	Design Standard
-10°C - 60°C	EN 1092-2 PN16	BS EN 1074-4

Application

- Sewage water mains industrial applications treatment works

Features

- Maximum operating pressure 40 Bar Minimum operating pressure 0.1 Bar
- Single body combination air valve Stainless steel frictionless float
- Three optional outlets



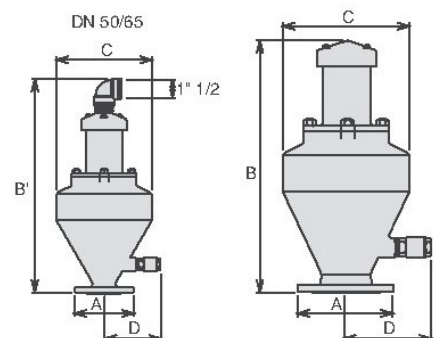
Options

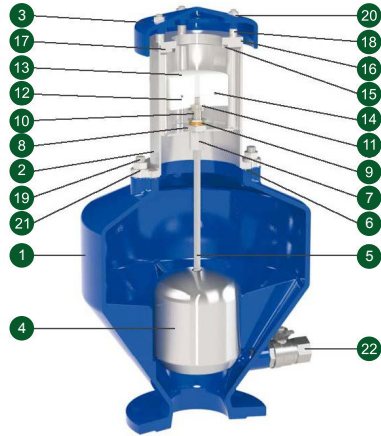
- Anti-Surge Protection
- Rapid Fill Protection

Accessories

- Exit only and entrance only kits snorkel kit
- Critical air valve monitoring sensor
- Flanged outlet soak away
- Odour control boxes

Affco Flow Control (UK) Ltd offers complete air valve analysis and surge analysis design capabilities that will help to identify the right type, size and location of an air valve to protect the main or application from transient surge events. This will give complete peace of mind and help to greatly reduce maintenance issues through leaks and catastrophic bursts.





Outlet Information

Outlet diameter in mm according to the air valve and PN.

Connection	PN10	PN16
DN50/65	2.4	2.4
DN80/100	3.0	3.0
DN150/200	4.0	4.0

Connection inch/mm	A	B	C	D	Weight Kg	
50/65	185	-	680	300	190	29.0
80/100	220	645	-	350	202	40.0
150	285	870	-	488	243	78.0
200	340	870	-	488	243	82.0

Materials

No.	Part Name	Material
1	Lower Body	Ductile Cast Iron GJS 500-7/ GJS 450-10
2	RFP Upper Body	Stainless Steel AISI 316
3	Float	Ductile Cast Iron GJS 500-7/ GJS 450-10
4	Float Shaft	Stainless Steel AISI 316
5	O-ring	NBR
6	Driving Sleeve	Stainless Steel AISI 303
7	Nut	Stainless Steel AISI 304
8	Plane Gasket	NBR
9	Gasket Holder	Stainless Steel AISI 316
10	Nozzle Subset	Stainless Steel AISI 316
11	RFP Obtrator Flat	Polypropylene
12	Anti-Surge Flat	Polypropylene
13	Anti-Surge Flat Gasket	NBR
14	Seat Gasket	NBR
15	O-ring	NBR
16	Seat	Stainless Steel AISI 316
17	Spacers	Stainless Steel AISI 304
18	Studs	Stainless Steel AISI 304
19	Nuts	Stainless Steel AISI 304
20	Washers	Stainless Steel AISI 304
21	Ball Valve 1"	Stainless Steel AISI 316